



## 880 Performance™ Series Panel Mount Indicator/Controller



### STANDARD FEATURES

- LED Display, 0.56 inch (14 mm), 14 segment
- RS-232 or RS-485 Serial Port
- USB Device
- Ethernet TCP/IP
- AC or DC models
- Built-in DIN-rail clips on controller box
- Display and controller can be separated up to 250 ft
- Hardware slot for one option card
- Operator functions through Menu key for Audit Trail, Preset Tare, Accumulator, Time & Date and Setpoints
- Audit trail tracking for configuration and calibration changes. Password protection for user and configuration changes.
- 20 Setpoints with latched batch engine or unlatched outputs
- Four onboard digital I/O channels
- Programmable ticket formats up to 1000 characters for Header Text, Gross, Net, Accumulator, and Setpoints
- Local/Remote operation
- Multi range or multi interval weighing
- Filter settings for light, medium and heavy noise

### OPTIONS/ACCESSORIES

- Analog output, 0-10VDC, 0-20 mA, 4-20 mA
- Relay output, four dry contact relays normally open (SPST)
- Interface for ProfiNet®, Profibus®, Modbus TCP®, EtherNet/IP®, and DeviceNet® protocols
- Metrological hardware sealing kit
- Adapter plate for converting 310A and 520 panel mounts

### APPROVALS



Measurement  
Canada  
Approved

### SPECIFICATIONS

#### Power:

Input voltages: 100-240VAC, 9-36 VDC  
Input Frequency: 47-63Hz

#### Power Consumption:

AC: 15 watts; DC: 20 watts

#### Excitation Voltage:

10 VDC  
8 x 350 Ω (16 x 700 Ω) load cells

#### Analog Signal Input Range:

-45 mV to 45 mV

#### Analog Signal Sensitivity:

0.3 μV/graduation minimum at 7.5 Hz  
1.0 μV/graduation typical at 120 Hz  
4.0 μV/graduation typical at 960 Hz  
A/D Sample Rate:  
7.5 to 960 Hz, software selectable

#### Resolution:

Internal: 8 million counts/  
8,000,000 23 bit  
Weight display: 100,000

#### System Linearity:

± 0.01% Full Scale

#### Digital I/O:

Four I/O Onboard  
Primary keys, pseudo functions,  
batching functions

#### Circuit Protection:

18 KV, 10V/meter

#### Communication Ports:

RS-232 Full Duplex or  
RS-485 Half Duplex  
USB Type A Connector 2.0 (firmware update required)  
USB Micro A/B Connector 2.0  
Ethernet TCP/IP

#### Display:

LED, Six 0.56 inch (14 mm),  
14 Segment with Decimal or Comma

#### Status Annunciators:

Gross, Net, Center of Zero, Standstill,  
lb, kg, Tare, Preset Tare, Range 1/2/3

#### Keyboard:

Flat membrane panel, tactile feel

#### OPTIONS

##### Analog Output:

16-bit resolution, Voltage Output 0-10VDC,  
Current Output 0-20 mA, 4-20 mA

##### Relay Board:

(4) Dry Contact Relays  
DC Max: 30VDC at 3 Amps per contact  
AC Max: 250VAC at 3 Amps per contact

##### EtherNet/IP Interface:

According to EN 50325-2

##### ProfiNet Interface:

According to IEC 61784 (CPF-3/3)

##### Modbus/TCP Interface:

Up to eight bytes of I/O data  
100 Mbps full duplex Ethernet

##### DeviceNet Interface:

According to EN 50325-2

#### Profibus DP Interface:

According to EN 50170

#### Operating Temperature:

Legal:  
14°F to 104°F (-10°C to 40°C)  
Industrial:  
14°F to 122°F (-10°C to 50°C)

#### Dimensions (W x H x D):

6.00 x 4.00 x 4.95 in  
(152 x 102 x 126 mm)

#### Weight:

2.5 lb (1.2 kg)

#### Rating:

Display Bezel NEMA 4X, IP69K

#### Material:

Display: Stainless Steel  
Controller: Aluminum

#### Warranty:

Two-year limited warranty

#### Approvals:

NTEP CC 13-080  
Accuracy Class III/IIIL, 10,000d  
Measurement Canada (Pending)  
Accuracy Class III/IIHD, 10,000d  
OIML (Pending)  
CE Mark  
UL Recognized (Pending)



# 880 Performance™ Series Panel Mount Indicator/Controller

## PART NUMBER/PRICE

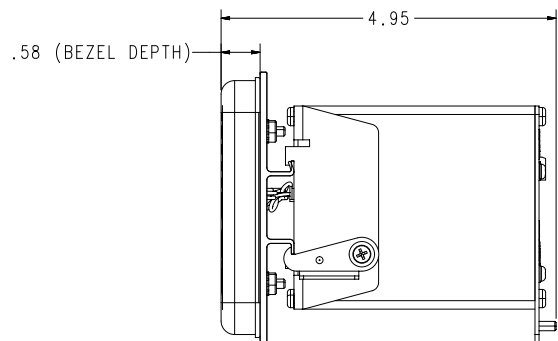
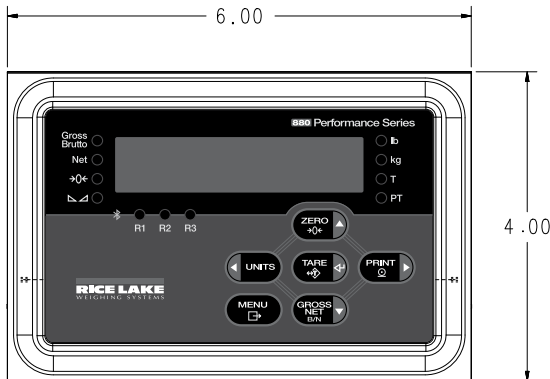
PART #	DESCRIPTION	EST. SHIP WEIGHT	PRICE
<b>AC Powered*</b>			
150678	880, 115-230VAC with display	4 lb	Consult
151672	880 controller only 115-230VAC	4 lb	Consult
157989	880, 115-230VAC with Analog Output	4 lb	Consult
157990	880, 115-230VAC with Relay Board	4 lb	Consult
157991	880, 115-230VAC with EtherNet/IP	4 lb	Consult
157992	880, 115-230VAC with ProfiNet	4 lb	Consult
157994	880, 115-230VAC with Modbus/TCP	4 lb	Consult
157993	880, 115-230VAC with Profibus DP	4 lb	Consult
157995	880, 115-230VAC with DeviceNet	4 lb	Consult
<b>DC Powered*</b>			
150679	880, 9-36VDC with display	4 lb	Consult
151673	880 Controller only 9-36VDC	4 lb	Consult
Consult	880, 9-36VDC with Analog Output	4 lb	Consult
Consult	880, 9-36VDC with Relay Board	4 lb	Consult
Consult	880, 9-36VDC with EtherNet/IP	4 lb	Consult
Consult	880, 9-36VDC with ProfiNet	4 lb	Consult
Consult	880, 9-36VDC with Modbus/TCP	4 lb	Consult
Consult	880, 9-36VDC with Profibus DP	4 lb	Consult
Consult	880, 9-36VDC with DeviceNet	4 lb	Consult

\*Power cable not included

\*\*Required for mounting display remotely from controller

## OPTIONS/ACCESSORIES

PART #	DESCRIPTION	EST. SHIP WEIGHT	PRICE
151674*	880 Display only	2 lb	Consult
153883**	6-Pin connector for display port	1 lb	Consult
156964	Analog output, 0-10VDC, 0-20mA, 4-20mA	1 lb	Consult
156965	Relay board, 4 dry contact outputs	1 lb	Consult
156554	EtherNet/IP Interface	1 lb	Consult
156555	ProfiNet Interface	1 lb	Consult
156557	Modbus/TCP Interface	1 lb	Consult
156558	DeviceNet Interface	1 lb	Consult
156556	Profibus DP Interface	1 lb	Consult
153660	Metrological sealing kit	1 lb	Consult
158404	Adapter plate for IQ310 and 520 replacement	1 lb	Consult
77925	Revolution™ scale software	1 lb	Consult
152240	Operators manual	1 lb	Consult
158387	Technical manual	1 lb	Consult
<b>Cables</b>			
15436	Power cord, pigtail	1 lb	Consult
105382	Power cord, 230 VAC	1 lb	Consult
152434	Cable, USB A to micro A Shielded, 2 Meters L	1 lb	Consult
156817	Cable, Ethernet TCP/IP CAT.5E Shielded RoHS compliant Blue RJ45 connectors 1 meter	1 lb	Consult
156818	Cable, Ethernet TCP/IP CAT.5E Shielded RoHS compliant Blue RJ45 connectors 3 meter	1 lb	Consult
156821	Cable, Ethernet TCP/IP CAT.5E Shielded RoHS compliant Blue RJ45 connectors 5 meter	1 lb	Consult
<b>Primary Component Parts</b>			
131740	Overlay, 6-Key, red window	1 lb	Consult
131598	Display Board, LED	1 lb	Consult
131599	Power Supply, 85-265VAC	1 lb	Consult
153510	Power Supply, 9-36VDC	1 lb	Consult
131597	CPU Board	1 lb	Consult



INDICATORS/CONTROLLERS

